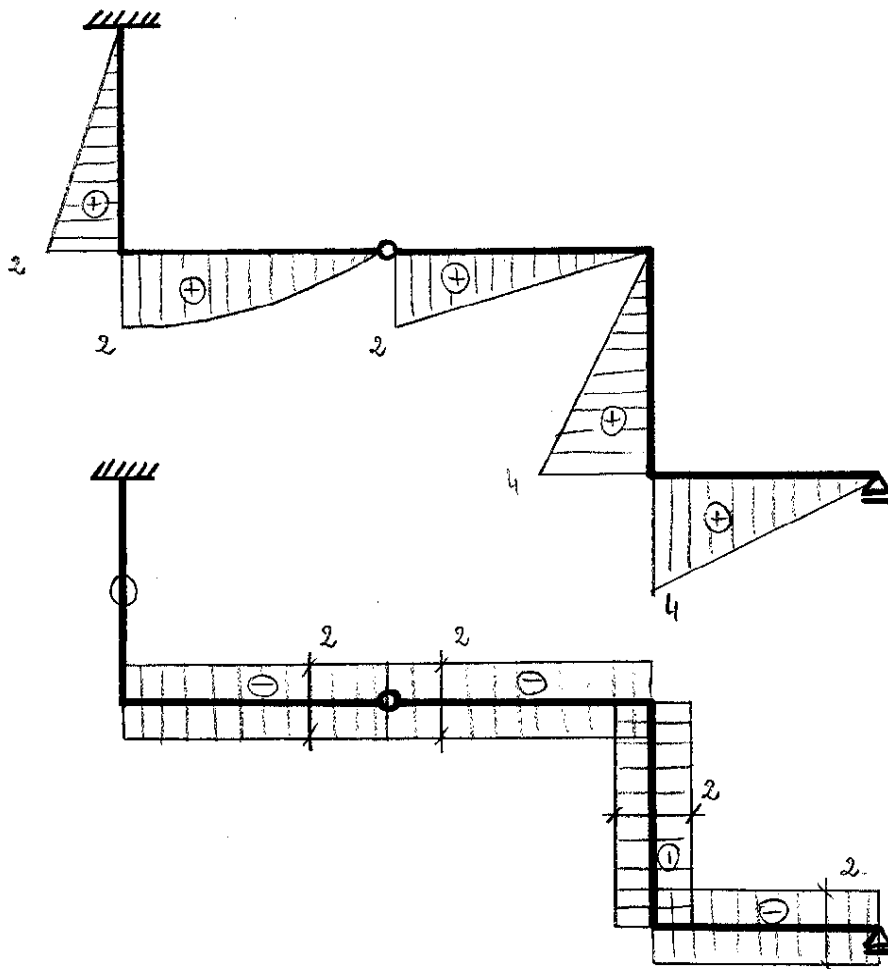
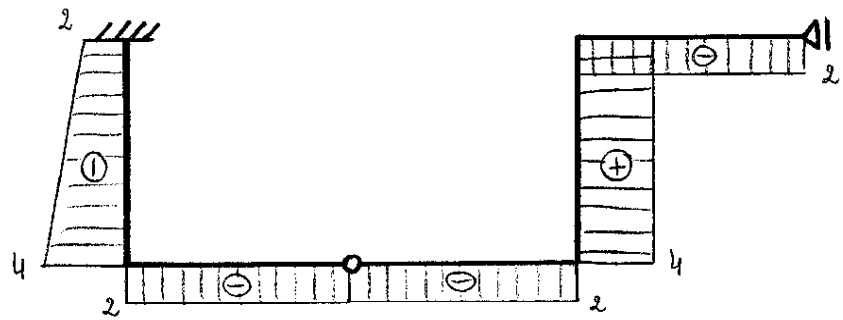
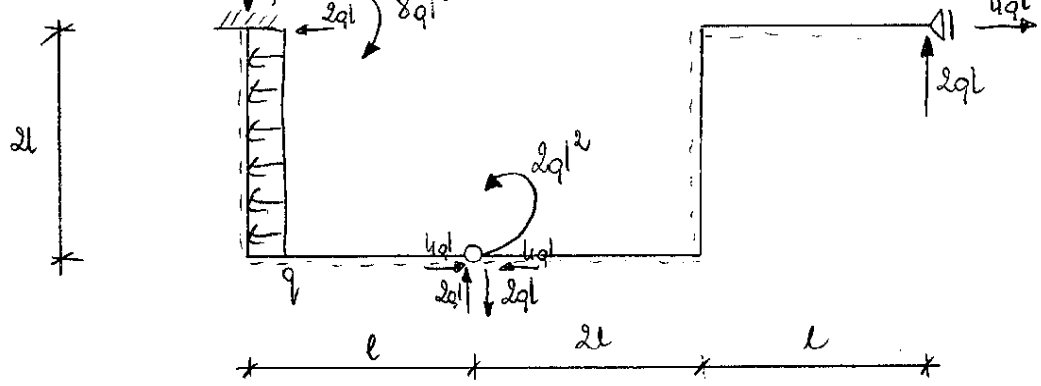


$T [q_1]$

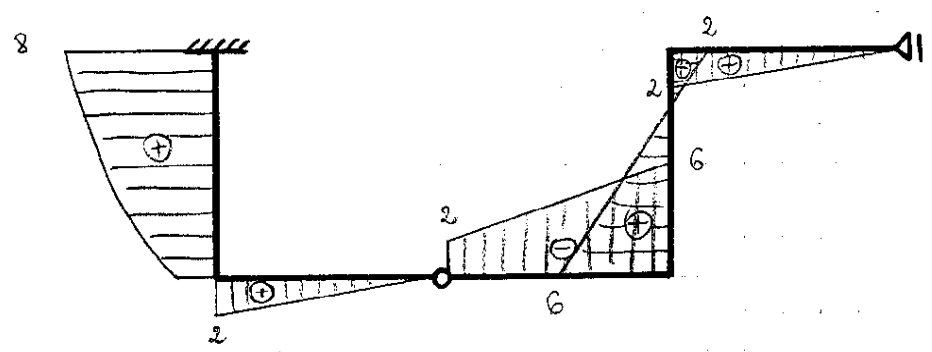


$M [q_1^2]$

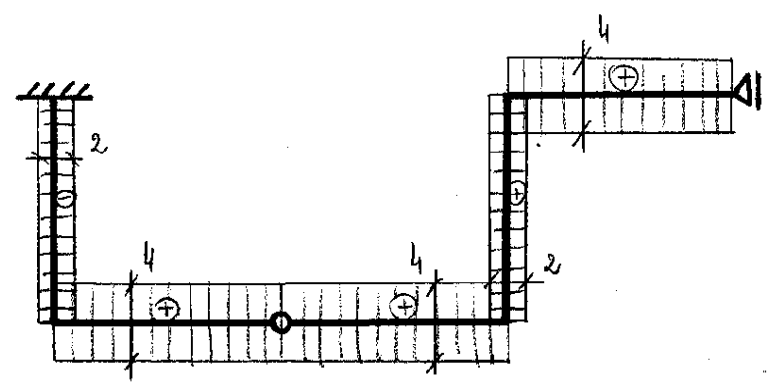
$N [q_1]$



$T[q]$



$M[q^2]$



$N[q]$