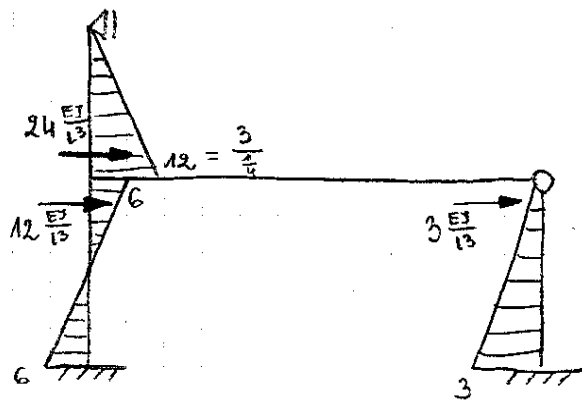
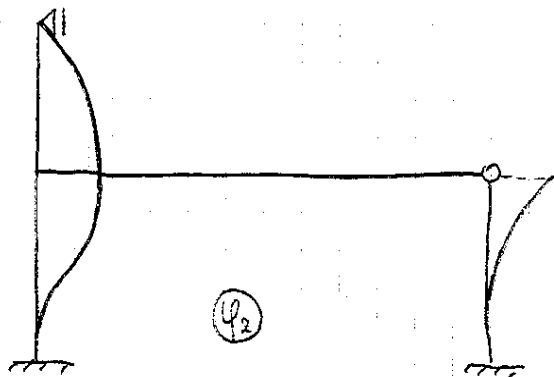
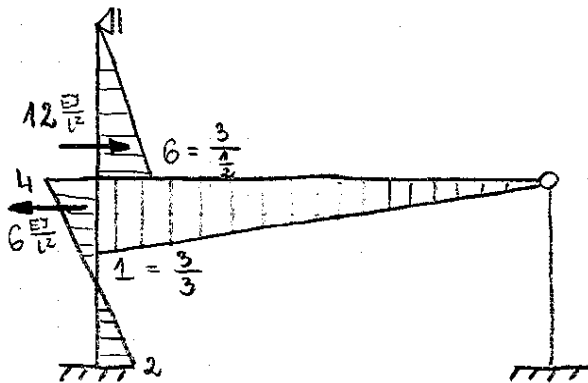
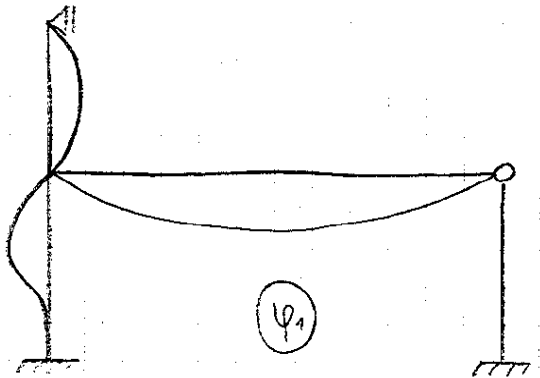
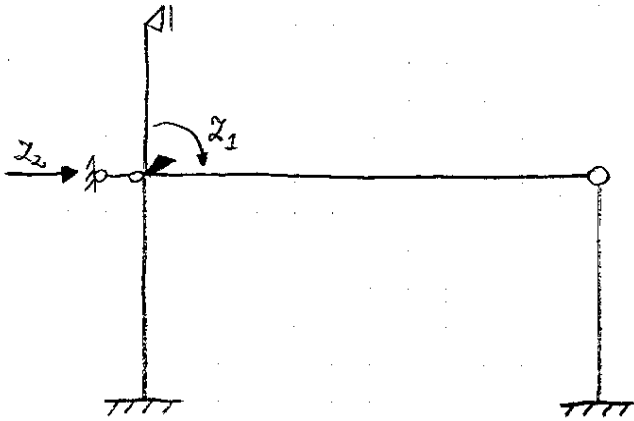
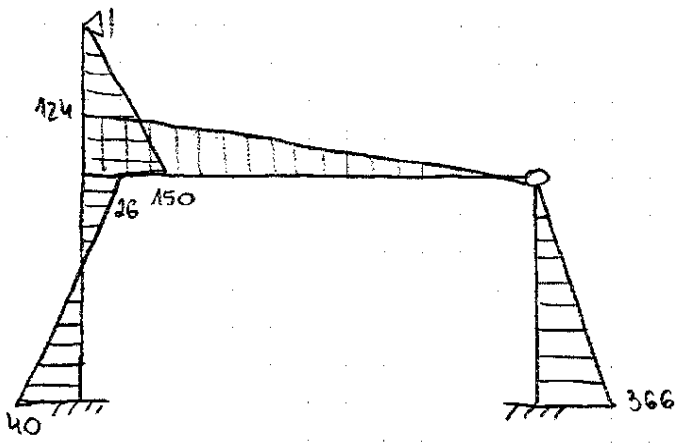


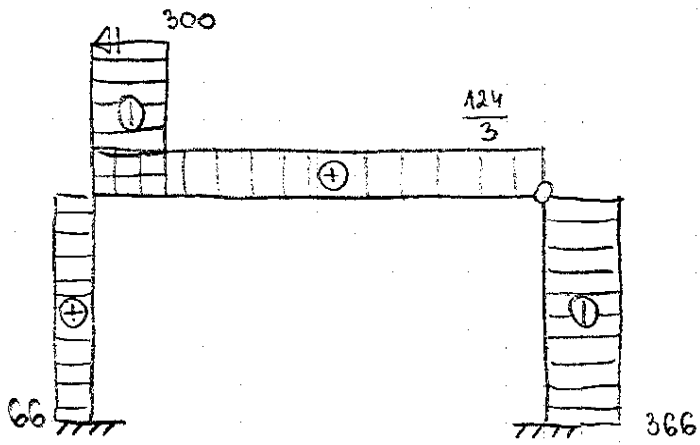
$$n_p = 2$$



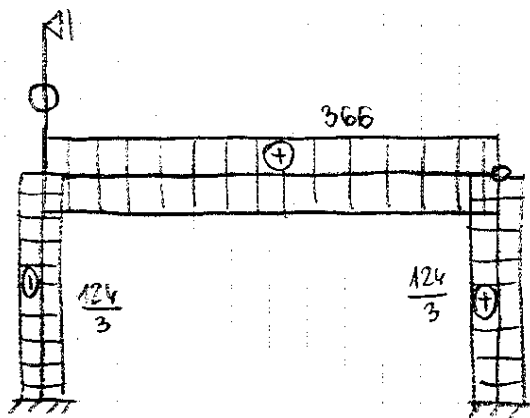




$$M \left[ \frac{EJ}{L^3} \cdot \Delta \right] \times \frac{1}{131}$$



$$T \left[ \frac{EJ}{L^3} \cdot \Delta \right] \times \frac{1}{131}$$



$$N \left[ \frac{EJ}{L^3} \cdot \Delta \right] \times \frac{1}{131}$$